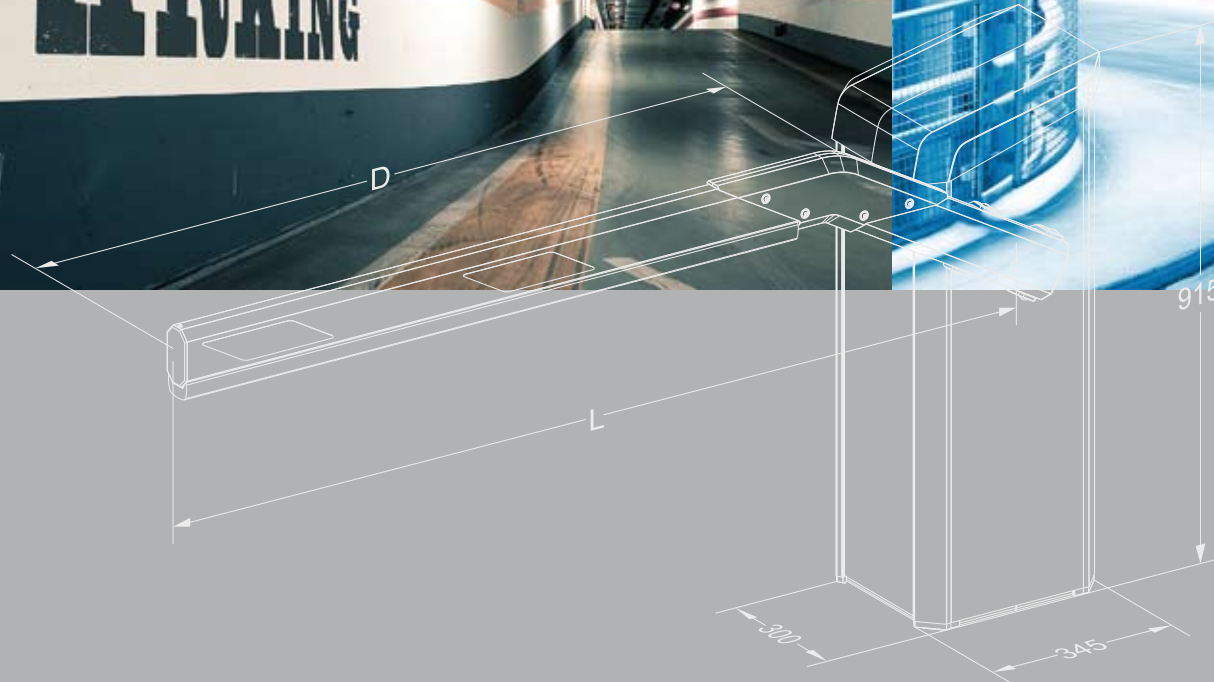
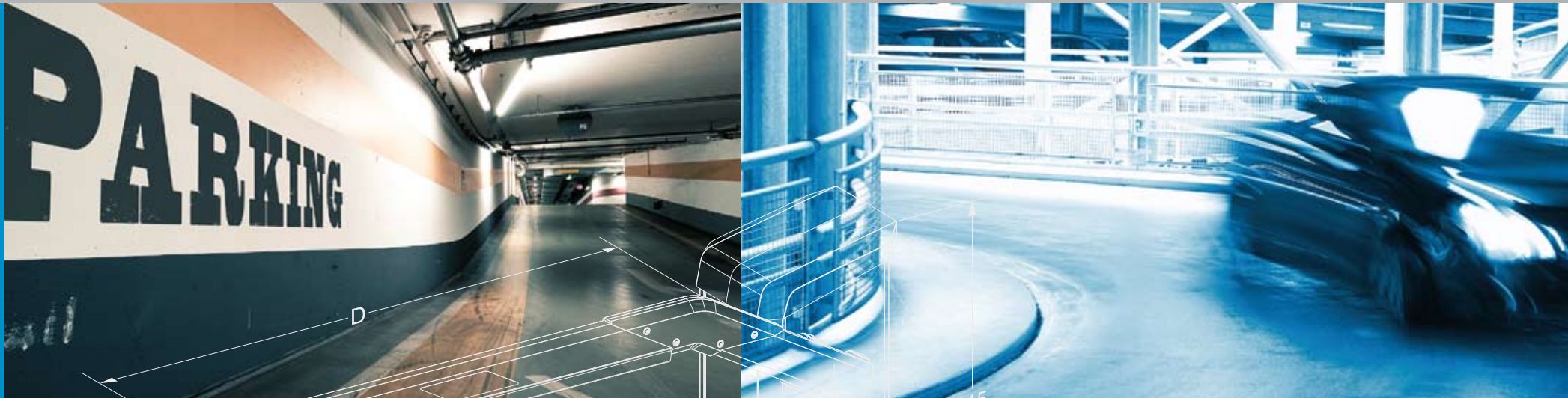


MHTM™ MicroDrive – Barriers for state-of-the-art parking-systems



Magnetic.Parking



Magnetic – discover the difference



Every person is an individual and the more we live our individuality, the more we can discover and experience our own needs. Figuratively, this is also true for the innovative **MHTM™ MicroDrive** barrier range of the Magnetic Autocontrol group. From a simple application through to a prestigious object, you can determine »your« barriers according to your requirement profile.

People are behind every project and every solution. This essential criterion was taken consistently into consideration in the development of **MHMT™ MicroDrive** series. The result is a unique barrier generation aligned to the needs of operators and users.

We employ state-of-the-art technologies and use environmentally sound and recyclable materials. Our electronics offer maximum options for the connection to higher-ranking systems, the software is user-friendly and can be configured.

Magnetic.Access barriers use significantly less energy than comparable products of competitors.

The **MHTM™ MicroDrive** concept secures decisive advantages for you and optimises the benefits of your facility at the same time.

Discover the difference.

- **MHTM™ MicroDrive**
- **Barrier with VarioBoom**
- **Secure control with unit integrated detectors**
- **Value-preserving aluminium housing**
- **Corrosion-resistant base frame**
- **3 performance and equipment variants**

300

Select your barrier



Magnetic.Parking

You are looking for a simple and cost-effective barrier but do not want to surrender performance and quality? In that case, Magnetic.Parking is your first choice.

- High integrated basic functionality
- 1.8 sec opening time
- Secure control unit with integrated detectors
- Optional functions

The Magnetic.Parking barriers are equipped with all required basic functions, they handle almost any task in multistorey car parks.



Magnetic.Parking Pro

For heavily frequented parking facilities or if more functions are required, the high-quality Magnetic.Parking Pro barrier is the perfect solution.

- Extended integrating basic functionality
- 1.3 sec opening time
- Extendable modular control
- Secure control unit with integrated detectors
- Even more optional functions

Magnetic.Parking Pro serves the professional operation and satisfies both the system supplier and the facility operator.



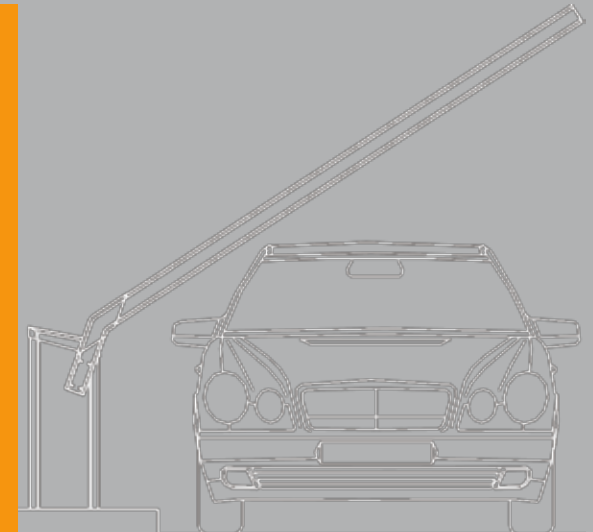
Magnetic.Parking Select

You appreciate something special and would like to define the barrier yourself? Our top model, Magnetic.Parking Select, is the right answer.

- Individual design options
- Extendable modular control
- Secure control unit with integrated detectors
- 1.3 sec opening time
- Almost everything is included

The Magnetic.Parking Select barrier does not leave anything to be desired. This is where form and function merge with more than 50 years of experience.

Benefit provided by technology



What makes a new engineering development a masterpiece? Is it the drive concept, the control, the productivity or the design?

MHTM™ MicroDrive is characterized by the innovative **MHTM™** drive technology. No maintenance, high performance and speed are only some of the outstanding features. The »size« of the drive with its integrated servo control and the compact high-performance gearing adapted to the required performance are astounding.

This concept reduces the number of system components considerably and provides essential cost savings in purchase and upkeep.

The revolutionary drive solution is complemented by the newly designed **MGC** control with integrated detectors. The configuration is supported by a large LCD display and keys. Users enjoy simple and fast operation online or on site in a wireless fashion depending on the version.

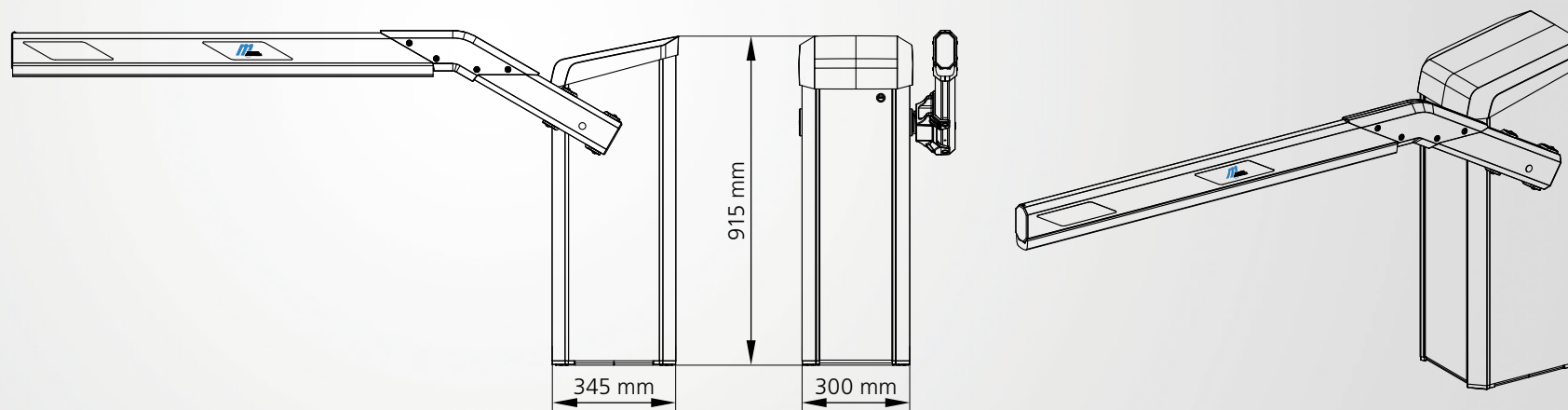
The careful selection of materials contributes to a higher performance and serviceable life of our products. The aluminium housing guarantees high stability and thus an attractive appearance at all times. The convenient housing design offers comfortable access of the drive system from two sides. Control electronics can be reached from the top and are protected by a lockable hood;

experts value this additional convenience. The change from a »right-hand« to a »left-hand« version is easily achieved.

The angled **VarioBoom** improves recognition and increases safety in any multistorey car park. Passage is already possible at an opening angle of 35°. More vehicles can thus pass during peak times, particularly if only one lane is available.

Just select the model variant best suited to your requirements.

Dimensions and performance



Our barriers have been developed, built and tested according to the latest standards and directives. They correspond to the requirements of the demanding specifications of UL, the certification authority for product safety in the United States, and applicable European directives.

CE conformity as well as the adherence to the safety requirements of the EMC Directive **2004/108/EC**, Low Voltage Directive **2006/95/EC** and the basic requirements of the Machinery Directive **2006/42/EG** are guaranteed.

We assure the constant quality of our products by our quality management system according to ISO 9001:2008.

Technical data	Parking	Parking Pro	Parking Select
Barrier width max.	3.5 m	3.5 m	3.5 m
Opening/closing time	1.8 s	1.3 s	1.3 s
On-time	100 %		
Supply voltage	Wide voltage range 85 V – 264 V		
Frequency	50/60 Hz		
Power consumption max.	35 W	95 W	95 W
Housing dimensions (WxDxH)	300 x 345 x 915 mm		
Weight without boom	40 kg		
Ingress protection	IP 54		
Temperature range	-30 °C bis +50 °C		

Further information is contained in the respective data sheets and operating instructions. The technical data is without engagement, we reserve the right of implementing changes.

Magnetic – global partner



In almost 100 countries, facility owners and operators trust the barrier products of the Magnetic Autocontrol group. The professional and progressive appearance of a parking facility starts at the entrance gateway and stops at the exit barrier. With the proverbial reliability of our barriers, we help optimising the flow of traffic and securing revenue in a decisive manner.

Magnetic Autocontrol Group

Headquarters

Phone: +49 76 22 / 695-5

E-Mail: marketing@ac-magnetic.com

Magnetic Autocontrol GmbH

Germany

Phone: +49 76 22 / 695-5

E-Mail: sales@de.ac-magnetic.com

Magnetic Automation Corp.

USA

Phone: +1 32 16 35 85 85

E-Mail: sales@usa.ac-magnetic.com

Magnetic Control Systems Co. Ltd.

China

Phone: +86 21 58 34 17 17

E-Mail: sales@china.ac-magnetic.com

Magnetic Automation Pty. Ltd.

Australia

Phone: +61 393 39 29 00

E-Mail: sales@australia.ac-magnetic.com

Magnetic Control Systems

Malaysia

Phone: +60 3 5123 0033

E-Mail: sales@malaysia.ac-magnetic.com

Magnetic Autocontrol Pvt. Ltd.

India

Phone: +91 44 42 111 222

E-Mail: sales@india.ac-magnetic.com

Magnetic Autocontrol Ltda.

Brazil

Phone: +55 11 56 60 85 00

E-Mail: sales@brazil.ac-magnetic.com

certified

Magnetic distribution partner

www.ac-magnetic.com

